



# AUTOLUBRICATION SYSTEM

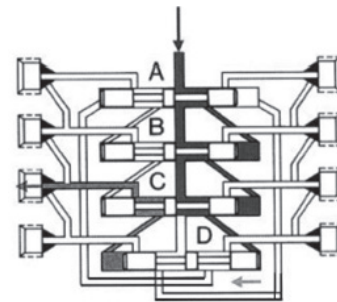
## DESCRIPTION

The Bromma Autolubrication System is designed to optimize spreader lifetime by automatically lubricating critical areas on spreaders.

The low level indicators activate the system which performs critical lubrication tasks designed to maintain operations at optimal levels.

### Benefits of having the Autolubrication System upgrade are:

- All lubrication points are automatically lubricated, thus reducing the need for service and maintenance
- The predetermined lubrication cycle can be adjusted to accommodate the terminal's needs
- The system is operated by the spreader control system



*Lubrication through divider blocks*

## SCOPE OF WORK

The scope of work for the supply and installation of the Autolubrication System upgrade includes:

- Install the autolubrication system
- Install the timing programme
- Test the equipment
- Revise existing drawings
- Revise spreader manuals

## PARTS INCLUDED

The following parts are included in the Autolubrication System upgrade offer:

- Autolubrication system
- Divider block
- Hoses

## ADDITIONAL ITEMS INCLUDED IN WORK SCOPE

The following additional items are included in the Autolubrication System upgrade:

- Software update on port's computer that will be used to connect to the spreader
- Autolubrication system training

## MATERIAL & INSTALLATION LEADTIME

<b>Material leadtime:</b>	5 weeks (Exw Bromma Malaysia)
---------------------------	-------------------------------

<b>Installation leadtime:</b>	3 days (per spreader)
-------------------------------	-----------------------

## PRICE & DELIVERY

Please connect with your local Bromma representative for price and delivery leadtime.

### NOTE!

Even though the Autolubrication System simplifies maintenance, it does not eliminate the need for inspection and maintenance as outlined in the service manual. All service points should be checked and maintained according the manufacturer's recommendations.