



# MHC SPREADER LEVELLING CONTROL

## DESCRIPTION

The MHC Spreader Levelling Control BR78615 is a self-contained level controller for Mobile Harbour Crane (MHC) spreaders to detect the degree and direction of an unlevelled platform condition.

It then provides an output signal to the crane to relevel the platform plane. The MHC Spreader Levelling Control is available both as an option for new spreaders or as an upgrade on spreaders already in operation.

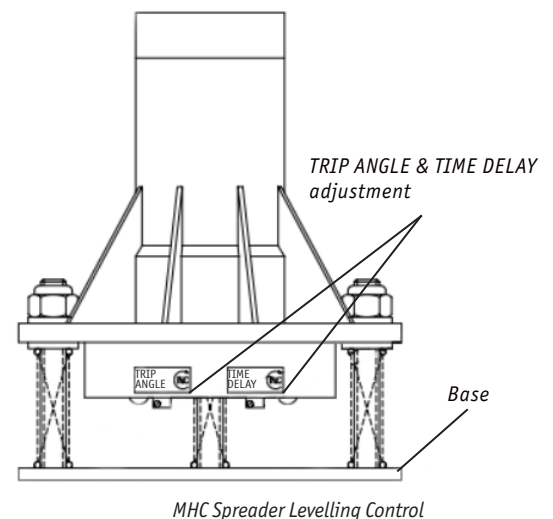
### Benefits of having the MHC Spreader Levelling Control design upgrade:

- Signals enable efficient platform level control and adjustment by crane operators
- Enhanced safety feature as platform level does not need to be visually monitored
- Increases spreader movement speed and container handling efficiency

## SCOPE OF WORK

The scope of work for the supply and installation of the MHC Spreader Levelling Control design upgrade includes:

- Install the MHC Spreader Levelling Control
- Wiring for the MHC Spreader Levelling Control
- Test all functions
- Revise existing drawings
- Revise spreader manuals



## PARTS INCLUDED

The following parts are included in the MHC Spreader Levelling Control upgrade offer:

- MHC Spreader Levelling Control
- Terminal
- Input/Output module
- Ferrule

## ADDITIONAL ITEMS INCLUDED IN SCOPE OF WORK

The following additional items are included in the MHC Spreader Levelling Control upgrade:

- MHC Spreader Levelling Control installation and maintenance training

## MATERIAL & INSTALLATION LEADTIME

<b>Material leadtime:</b>	5 weeks (Exw Bromma Malaysia)
---------------------------	-------------------------------

<b>Installation leadtime:</b>	3 days (per spreader, inclusive of testing)
-------------------------------	---

## PRICE & DELIVERY

Please contact your local Bromma representative for price and delivery leadtime.