

SPREADER OPTION

SPRINGLOADED FIXED GUIDE ARM

FOR WIDE-BODIED CONTAINERS



Revision date: 2020-01-23

BROMMA

PRODUCT INFORMATION

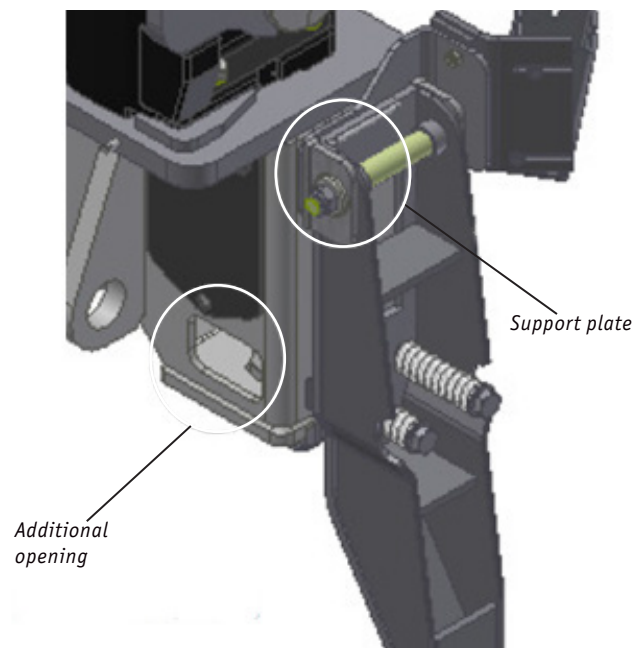
DESCRIPTION

The Bromma Springloaded Fixed Guide Arm is an alternative to the standard fixed guide arm on yard spreaders, with a major additional advantage of handling 2500 mm wide-bodied containers.

The Springloaded Fixed Guide Arm can be easily mounted on spreaders. It can also replace the standard fixed guide arm due to the same mounting footprint design.

For new orders, an additional opening on the lower part of the spreader end beam comes as default for easier assembling and disassembling of the guide arm.

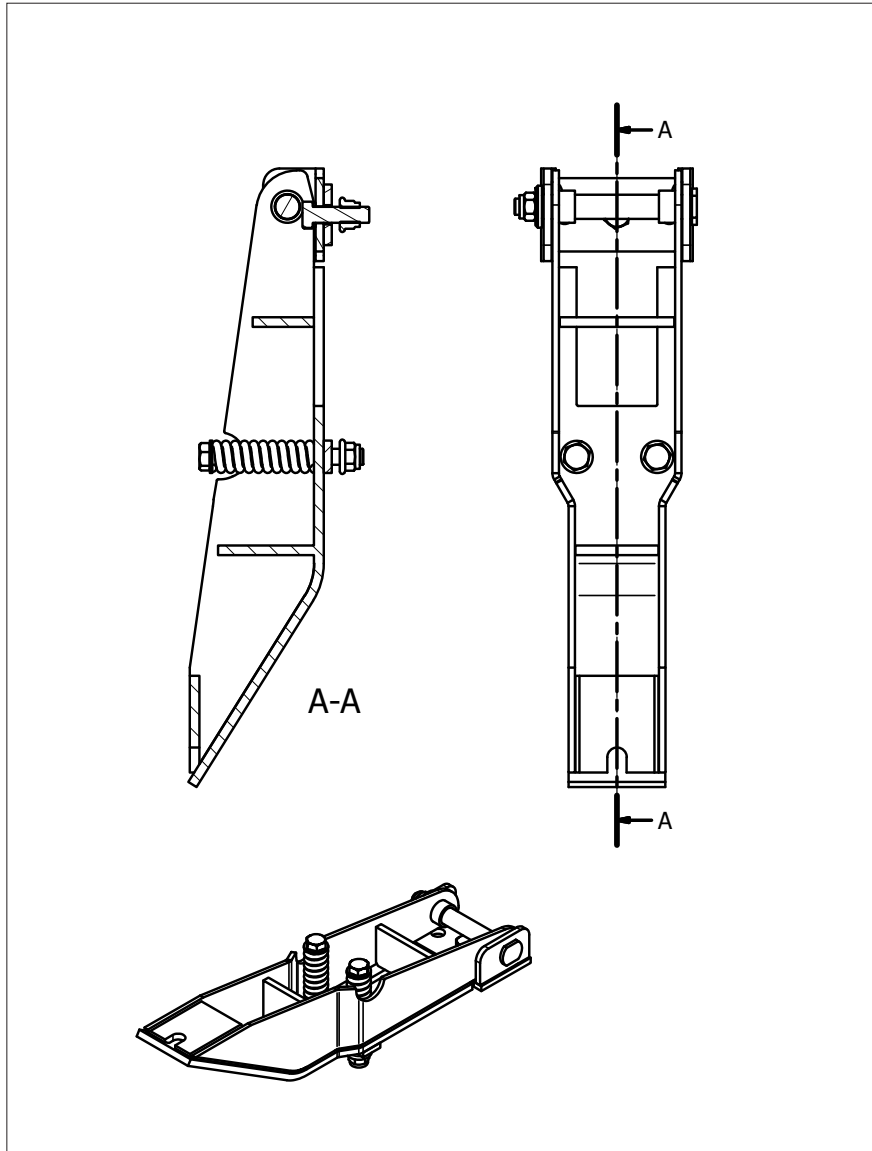
The Bromma Springloaded Fixed Guide Arm can be used with all Bromma yard spreaders, both new orders and upgrades.



TECHNICAL DATA

Bromma part number	1237652
Weight (guide arm)	23.3 kg + 2.6 kg (support plate)

DIMENSIONAL DRAWING – SPRINGLOADED FIXED GUIDE ARM



*Dimensional drawing of Springloaded Fixed Guide Arm. We reserve the right to change the design and technical data without prior notice.
© 2020 Bromma - All rights reserved.*



We reserve the right to change the design and technical data without prior notice.
© 2020 Bromma – All rights reserved.

sales@bromma.com
www.bromma.com

A Tradition of Innovation

BROMMA