

YSX40E/45E NEW TELESCOPIC DRIVE

DESCRIPTION

The YSX40E/45E can be upgraded with the Bromma New Telescopic Drive (3.0kW), which provides higher torque, improving the telescoping functionality when the

spreader needs to telescope with load on the twistlocks, for example, when an overheight frame is in use.

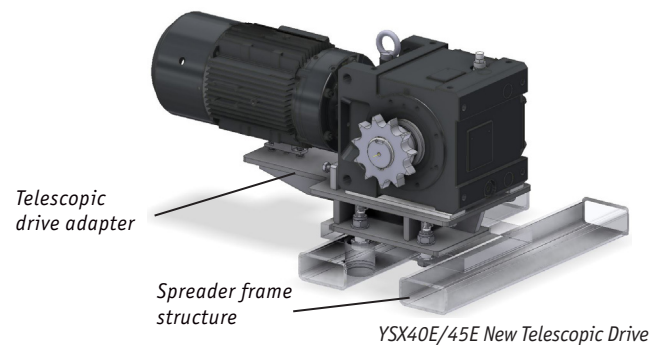
Benefits of having the YSX40E/45E New Telescopic Drive design upgrade:

- Higher torque
- Longer life
- Excellent shock resistance

SCOPE OF WORK

The scope of work for the supply and installation of the YSX40E/45E New Telescopic Drive design upgrade includes:

- Dismantle existing telescopic drive
- Install YSX40E/45E New Telescopic Drive with adapter
- Modify the spreader program, if relevant
- Modify electrical wiring, if relevant
- Test all functions
- Revise drawings
- Revise spreader manuals



PARTS INCLUDED

The following parts are included in the YSX40E/45E New Telescopic Drive upgrade offer:

- YSX40E/45E New Telescopic Drive
- YSX40E/45E New Telescopic Drive adapter

ADDITIONAL ITEMS INCLUDED IN WORK SCOPE

The following additional item is included in the YSX40E/45E New Telescopic Drive upgrade:

- YSX40E/45E New Telescopic Drive upgrade installation training

MATERIAL & INSTALLATION LEADTIME

Material leadtime:	5 weeks (Exw Bromma Malaysia)
Installation leadtime:	3 days (per spreader, inclusive of testing)

PRICE & DELIVERY

Please contact your local Bromma representative for price and delivery leadtime.